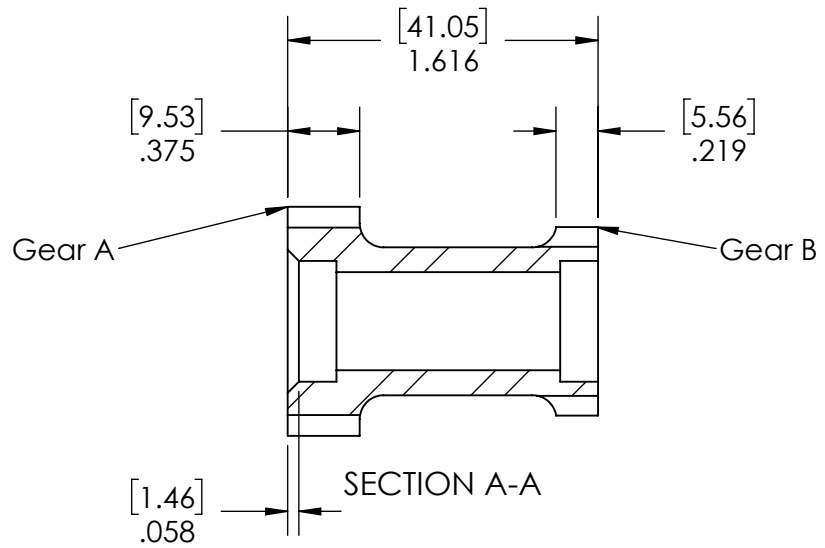
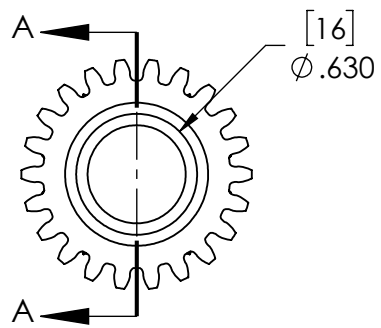
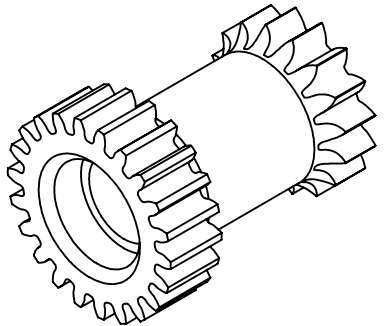


Part #	Gear A	Gear B	Material
WCP-1710	22t	16t on 18t CD	4140 Steel
WCP-1711	22t	16t on 18t CD	7075-T6 Aluminum



Description		WCP Swerve X2 Rotation Double Gear	
Dwg No		Web-Swerve X2 Rotation Double Gear	
Project		FIRST Robotics - FRC	Sheet 1 of 1
Release		10/25/2024	ALL DIMENSIONS ARE IN INCHES [MM].

WWW.WCPRODUCTS.COM